



Freestanding blast chiller LIFE W30 PRO

Model: W30PRO

Code: W61020220211

Functions:

blast chilling, blast freezing, proving, defrosting, storage, chocolate, yoghurt, bottle chilling, desiccation, slow cooking

Operating modes:

recipes, core temperature probe, timer

Standard fittings:

1 stainless steel tray GN2/3, core temperature probe, sanitizer



Temperatures

-40°C / +85°C

Capacity

38 litres, 4 trays

Interior measurements

335 x 300 x 380 mm

Cooling capacity

900W [Evap - 10°C cond. +40°C]

Exterior finish

Glass, Scotch Brite

Fan speed

Adjustable from 25% - 100%

Weight

35 kg

Exterior measurements

600 x 622 x 418 mm

Power supply

220V-240V / 50Hz

Interior finish

AISI 304 stainless steel
scratch-resistant linen

Display

Touch screen, 4.3 inches

Refrigerant gas

R 290, GWP 3

Packaging measurements

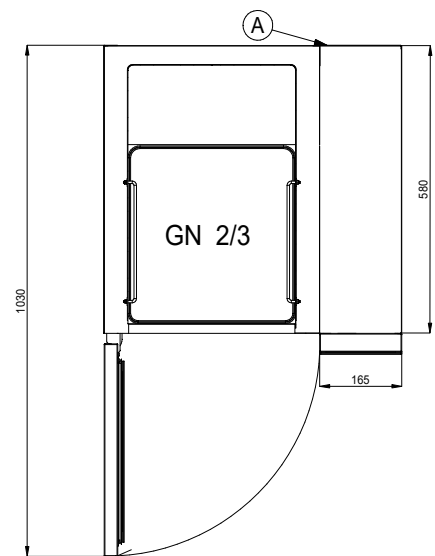
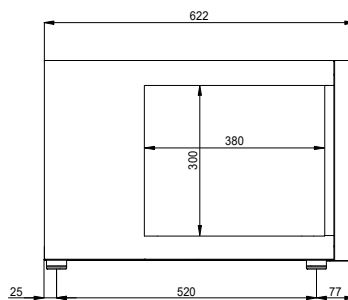
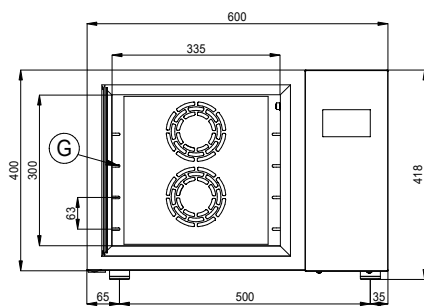
730 x 730 x 835 mm

Maximum power demand

540 W - 3 A

Door hinge

Bottom, lift-up door



A. 3,40 m electrical cable with Schuko plug.

B. To allow air to circulate, you must allow at least a 30 mm clearance behind the appliance and 20 mm in the bottom part.

C. Air flow with suction at the base and expulsion in the rear of the blast chiller.

In case of built-in installations the thickness of the door must exit from the compartment to allow the correct opening.